



Gas Meter Location Criteria

Meter Locations

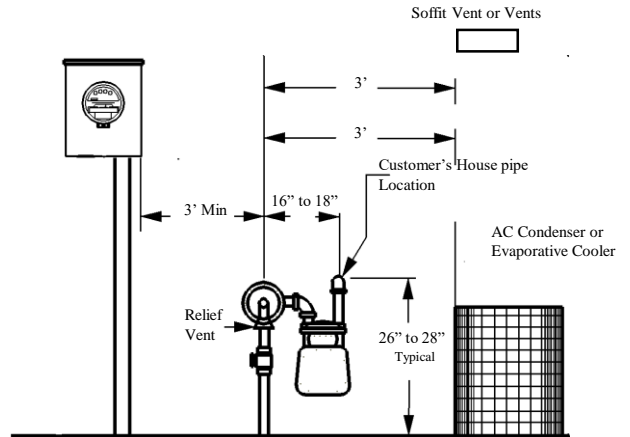
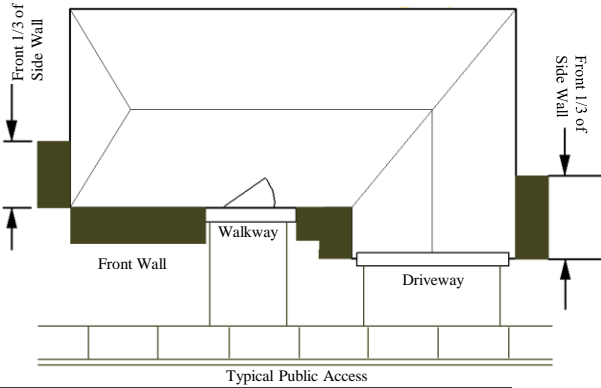


Diagram A

Gas Meter Clearances

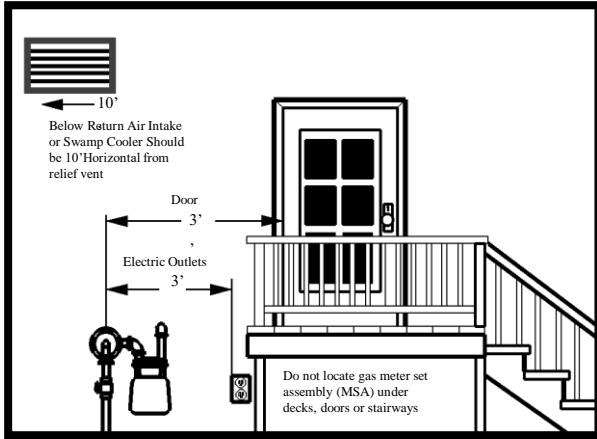


Diagram B

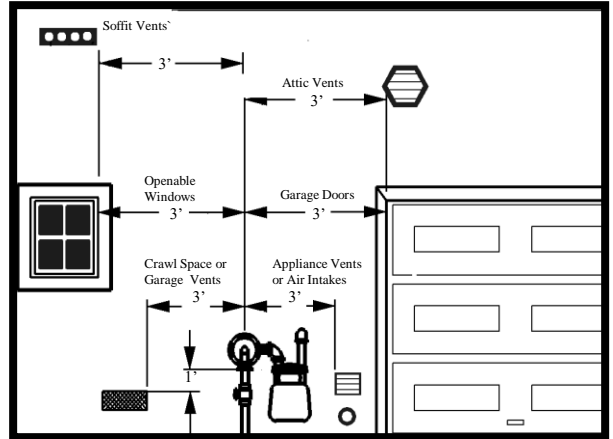


Diagram C

Gas meter minimum clearance requirements from the relief vent

Building Feature	Horizontal	Under	Above	Diagram	
Appliance Combustion Air Intake*	3 feet *	Not Permitted	Not Permitted	C	* 3 feet minimum or greater as specified by the appliance manufacturer
Appliance Vents	3 feet	Not Permitted	Not Permitted	C	
Attic Vents	3 feet	Not Permitted	Not Permitted	A	** can be closer if separated by a wall, contact NMGC for specifications
Crawl Space Vents / Garage Vents	3 feet	Not Permitted	Not Permitted	C	
Doors / Garage Doors	3 feet	Not Permitted	Not Permitted	A, C	
Electric Meters	3 feet	Not Permitted	Not Permitted	A	
Roof Canal (Drain)	18 inches	Not Permitted	Not Permitted		
Electric Outlet	3 feet	Not Permitted	Not Permitted	B	
Return Air Intake/Swamp Cooler	10 feet * *	Not Permitted	Not Permitted	B	
Soffit Vents (single story)	3 feet	Not Permitted	Not Permitted	A,C	
Operable Windows (Includes 2 nd story)	3 feet	Not Permitted	Not Permitted	C	
AC Condenser	3 feet	Not Permitted	Not Permitted	A	
Any Ignition Source	3 feet	Not Permitted	Not Permitted		